



NAT over segment monitoring

Koban Manager periodically communicates with Koban Sensor.
At that time, IP address is used to identify Koban Sensor. Therefore, the following settings are required.

Koban Manager settings:

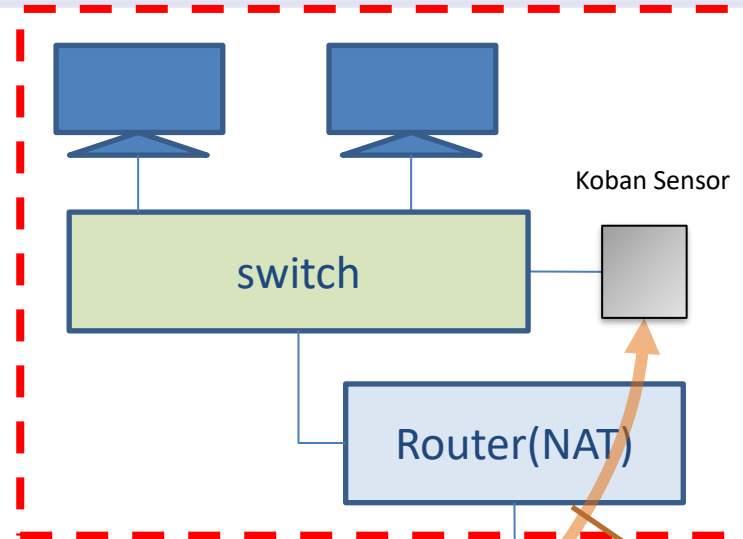
When registering Koban Sensor to Koban Manager,
Set "WAN-side address of the NAT router" to IP address field.

Koban Sensor settings:

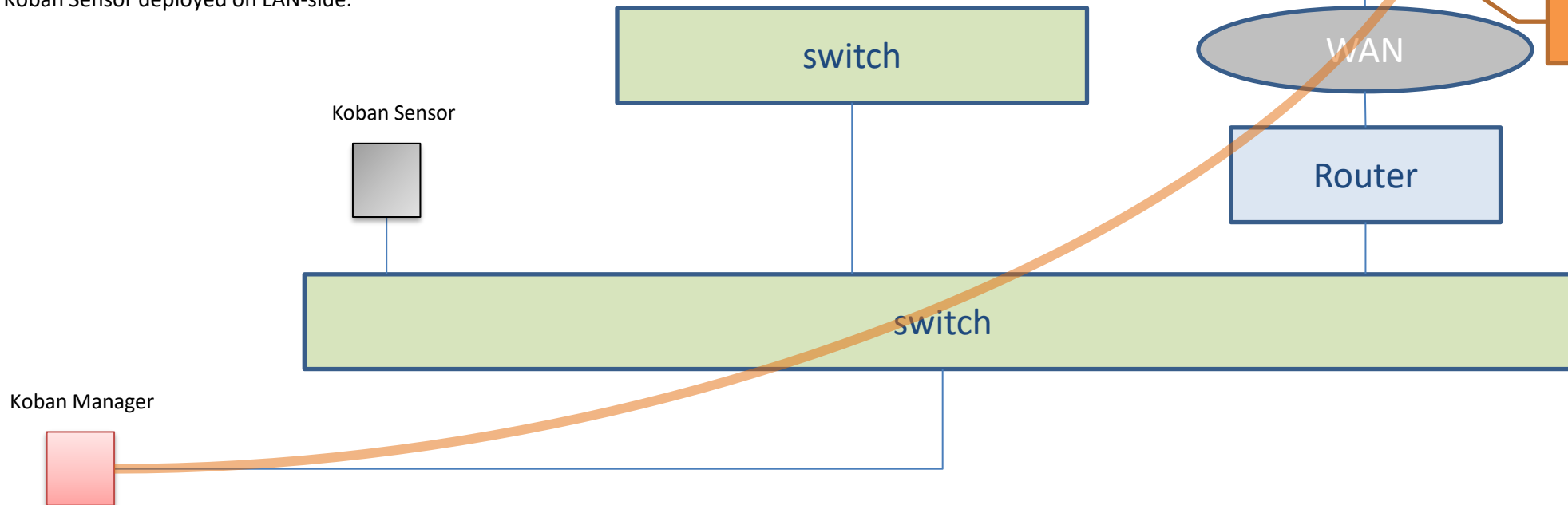
Set "WAN-side address of the NAT router" to Sensor IP Address field of Sensor Configuration screen.
Note: Please use IP address field of Network configuration screen as usual.

NAT router settings:

In order to access Koban Sensor over NAT, port forwarding and other settings for communication from Koban Manager to Koban Sensor are required.
Please configure the "WAN-side address of the NAT router" so that it can communicate(9907/tcp) with Koban Sensor deployed on LAN-side.



Required Port Forward
(Static NAT settings : 9907/tcp)





- Precautions and Restrictions
 - In this configuration, a different "NAT router WAN-side address" is required for each Koban Sensor.
 - In general, access from Koban Manager to a terminal under NAT is not possible, so the following functions will not be available.
 - Obtaining the NetBIOS name of the terminal beyond the NAT.
 - Access to the terminal for external command execution, etc.
- Security Tasks
 - Koban Sensor
 - Please implement appropriate access control to prevent unauthorized access via the port forwarding function.